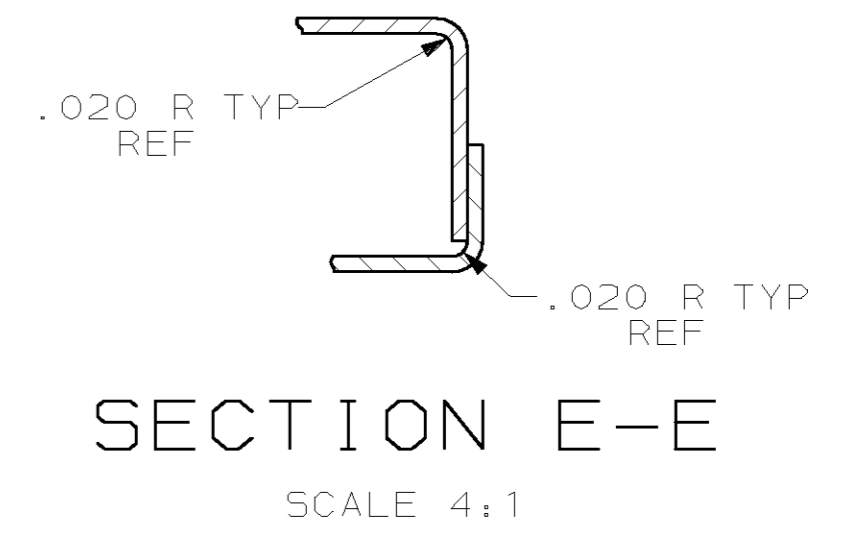
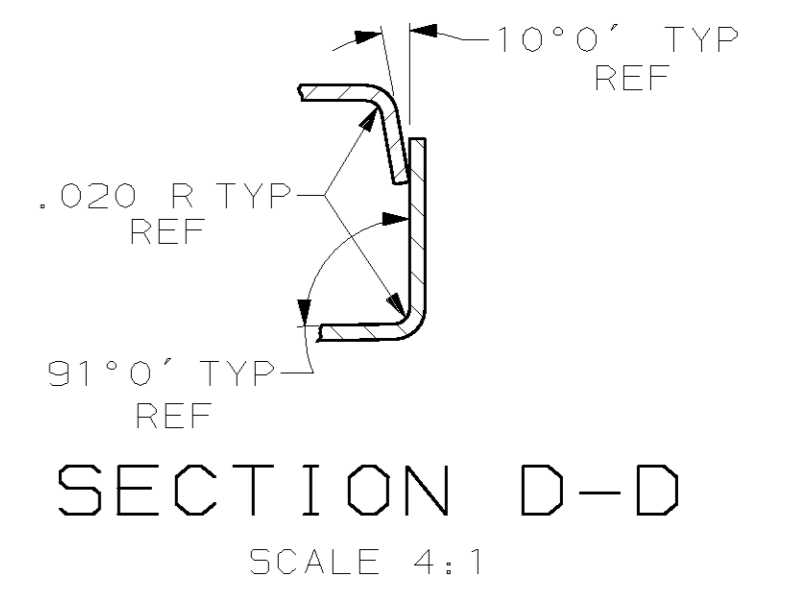
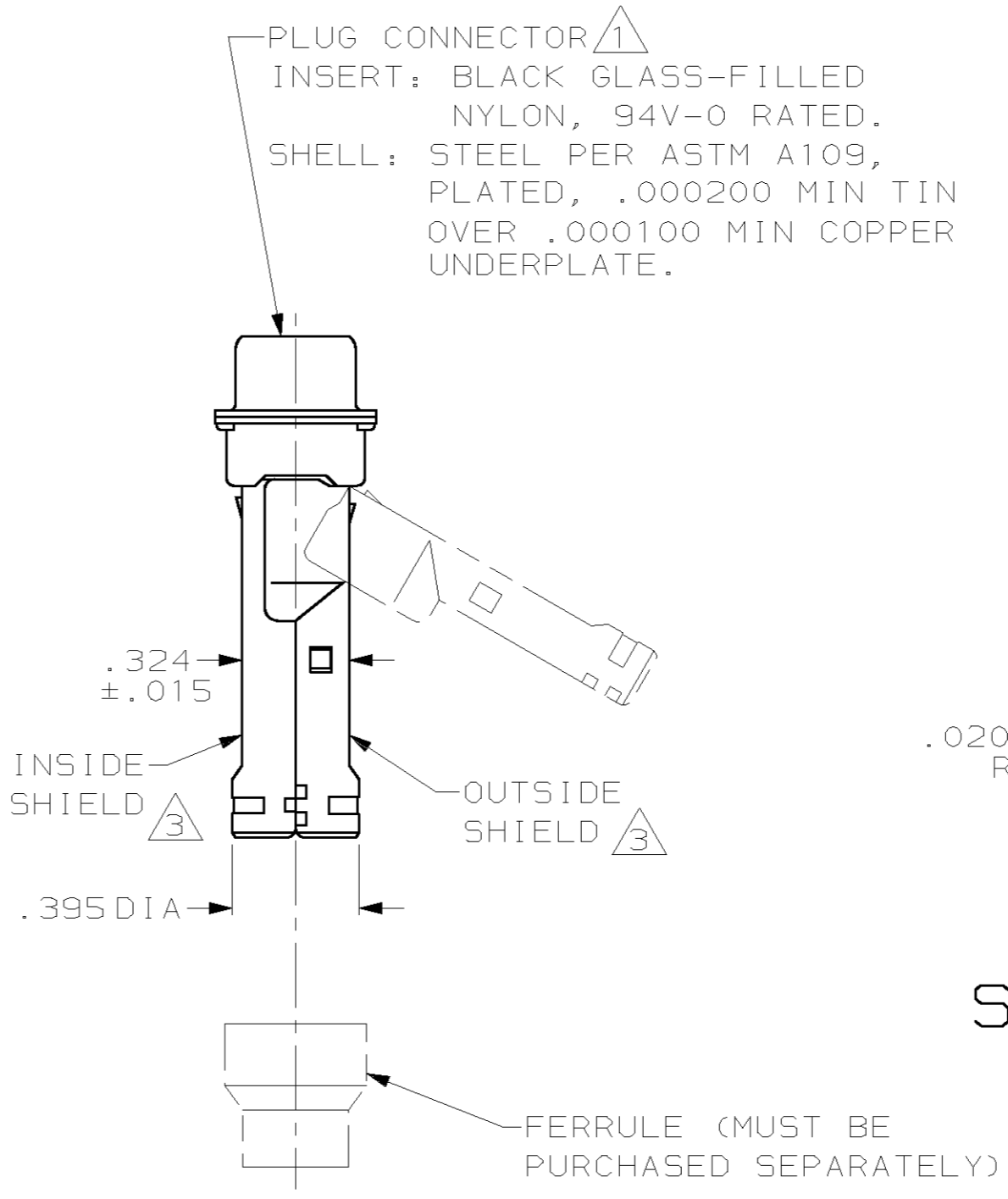
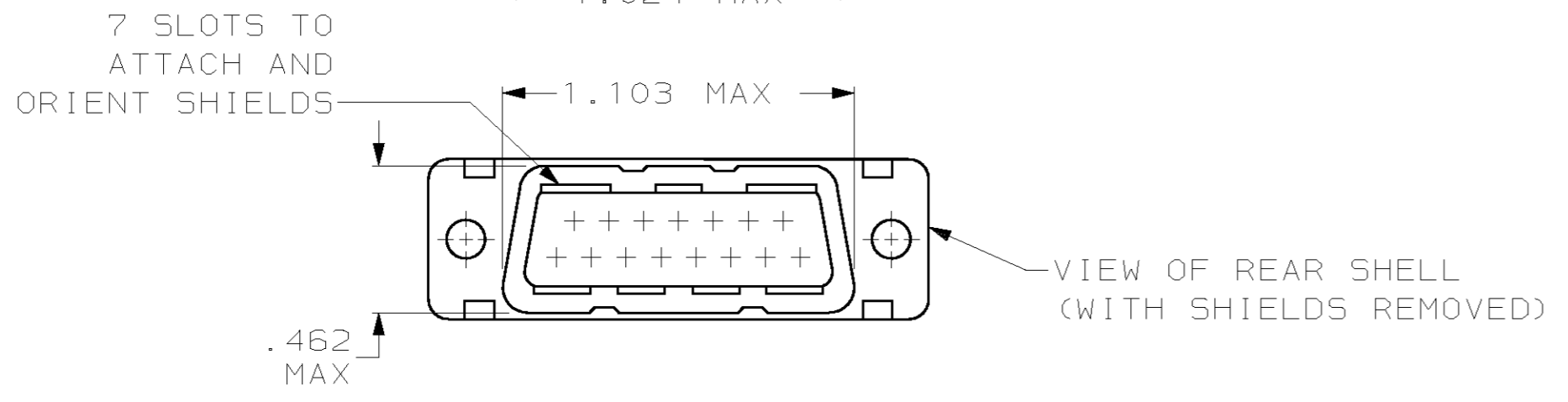
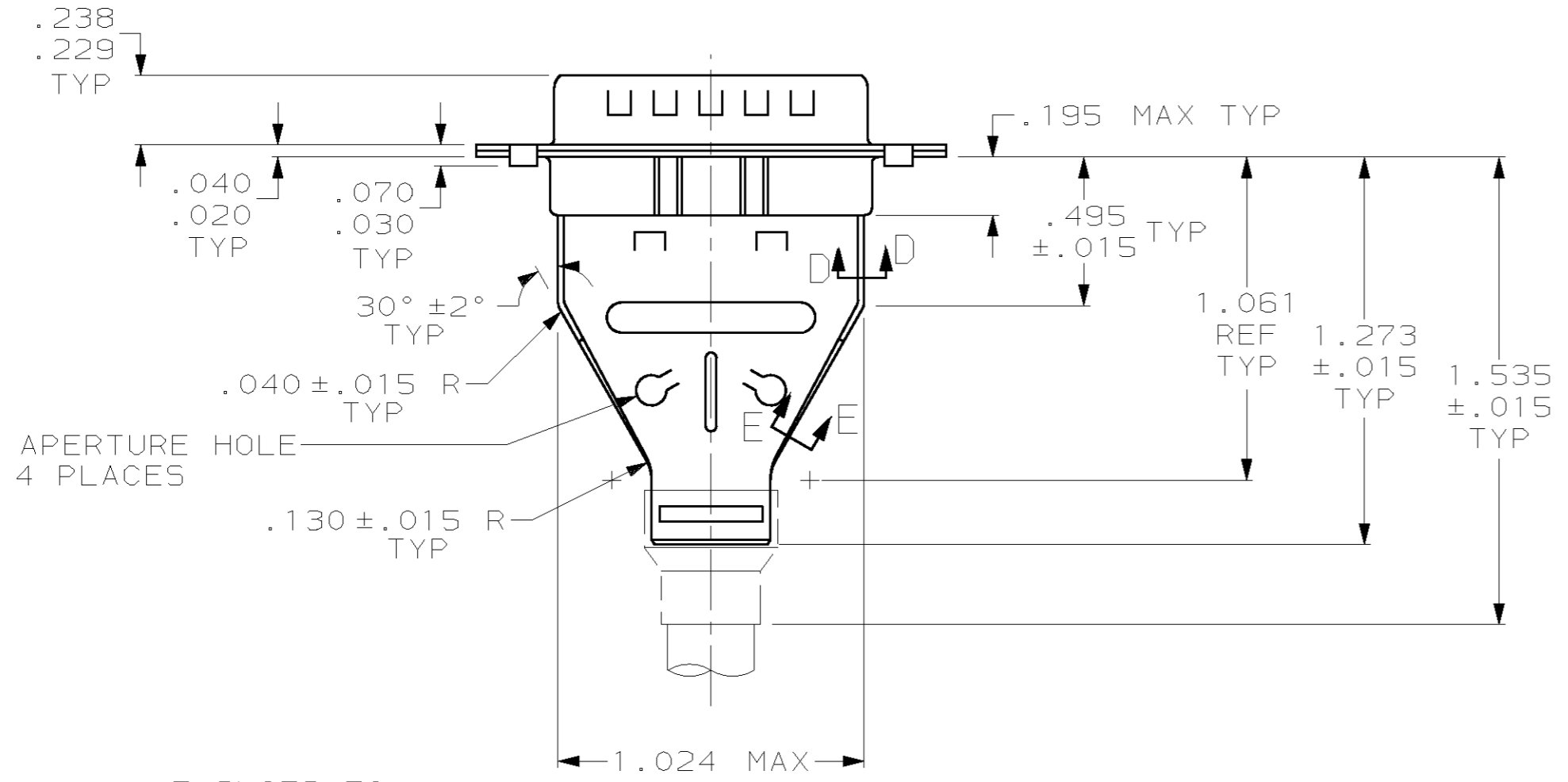
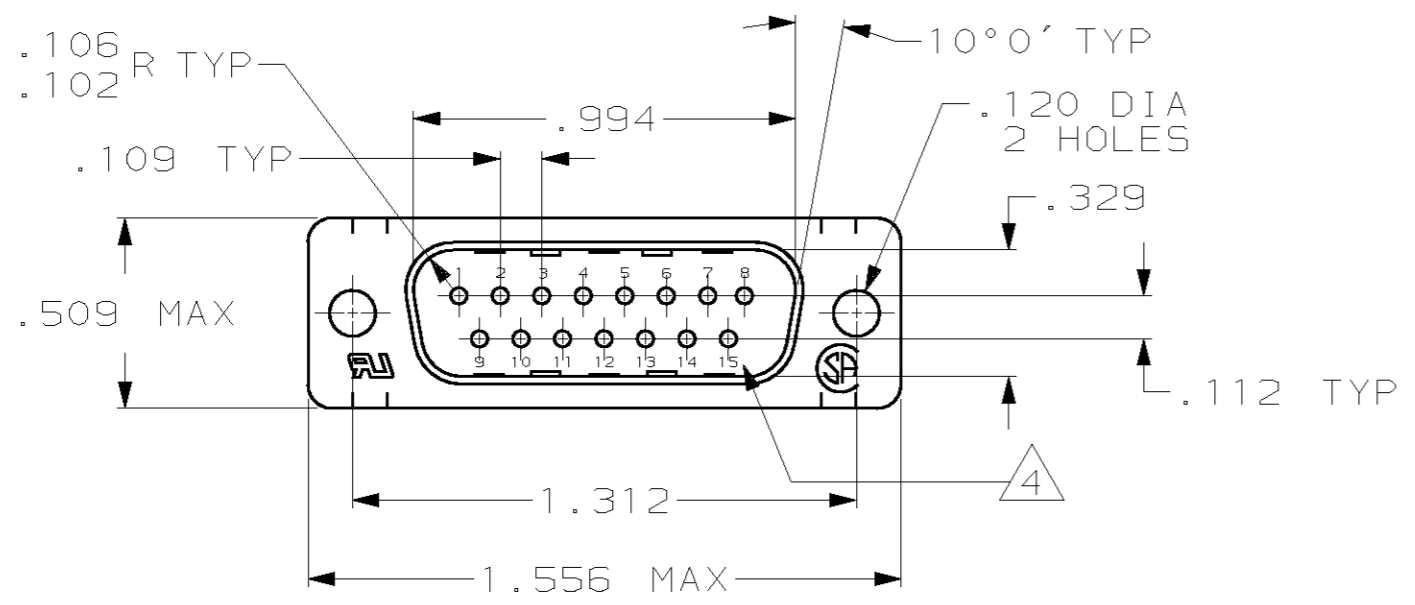


THIS DRAWING IS UNPUBLISHED. RELEASED FOR PUBLICATION
 BY AMP INCORPORATED, ALL RIGHTS RESERVED.

LOC	DIST	REVISIONS			
P	LTR	DESCRIPTION	DATE	DWN	APVD
GP	00	0	RELEASED PER EC 0513-0196-03	30JUL03	JR JG



- 1 PLUG ACCEPTS SIZE 20 PIN CONTACTS (CONTACTS MUST BE ORDERED SEPARATELY).
- 2. ALL PARTS SHIPPED UNASSEMBLED, EACH PART INDIVIDUALLY BULK PACKED.
- 3 SHIELDS: MATERIAL-.020 THICK STEEL, PER ASTM A109, PLATED .000200 MIN TIN OVER .000100 MIN COPPER UNDERPLATE.
- 4 RAISED CAVITY IDENTIFICATION AND AMP TRADEMARK.

1658647-1
 PART NUMBER

THIS DRAWING IS A CONTROLLED DOCUMENT.		DWN	J.REITZEL	30JUL03	AMP Incorporated Harrisburg, PA 17105-3608			
DIMENSIONS: INCH		CHK	S.BOLASH	30JUL03				
TOLERANCES UNLESS OTHERWISE SPECIFIED:		APVD	M.WALMSLEY	30JUL03				
0 PLC ± 1 PLC ± 2 PLC ± 3 PLC ±.005 4 PLC ± ANGLES ±0°30'		PRODUCT SPEC	108-40030					
MATERIAL SEE CALL OUT		APPLICATION SPEC	114-40030		NAME	KIT, PLUG, SHIELDING HARDWARE, SIZE 2, 15 POSITION, AMPLIMITE™ HDP-20		
FINISH SEE CALL OUT		WEIGHT	-		SIZE	A2	CAGE CODE	00779
CUSTOMER DRAWING		SCALE	2:1		DRAWING NO	1658647		
		SHEET	1 OF 1		RESTRICTED TO	-		
		REV	0					